

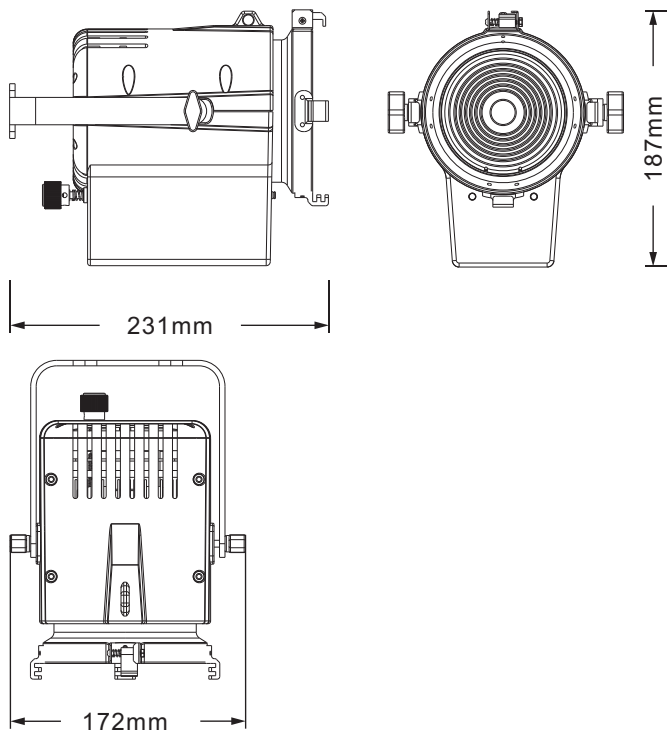
XPRESSION mini

USER MANUAL

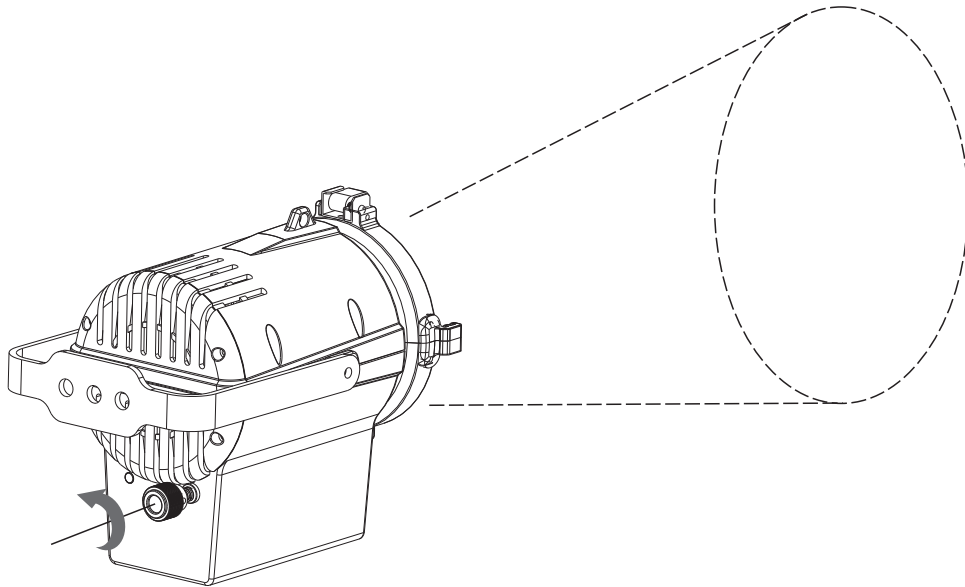
1 Product Introduction

1.1 Specification

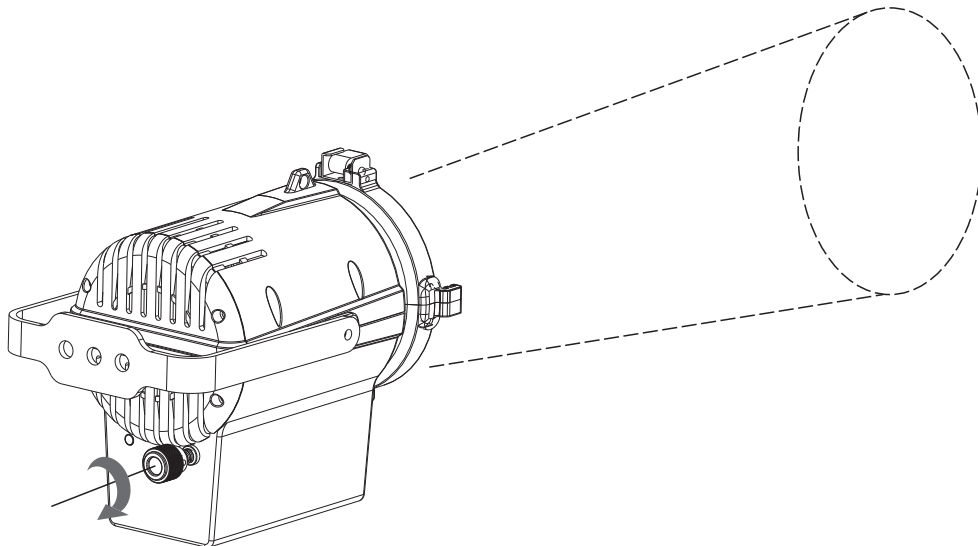
Product Code	SS868SWD/SS868SCD
Dimension	231 × 172 × 187(mm)
Weight	2.4KG
Rated Power	27W
Input Voltage	AC100~120V / AC220~240V
Frequency Range	50/60Hz
Ambient Temperature	0°C~45°C
Beam angle	12°~34°
LED quantity	WW*1PCS/CW*1PCS



3.3 Zoom handle



Turn the zoom button counterclockwise to increase the angle.



Turn the zoom button clockwise to reduce the angle.

1.2 Safety warning

IMPORTANT

Always read the user manual before operation.

Please confirm that the power supply stated on the product is the same as the mains power supply in your area.

- This product must be installed by a qualified professional.
- Always operate the equipment as described in the user manual.
- A minimum distance of 0.5m must be maintained between the equipment and combustible surface.
- The product must always be placed in a well ventilated area.
- Always make sure that the equipment is installed securely.
- Do not stand close to the equipment and stare directly into the LED light source.
- Always disconnect the power supply before attempting and maintenance.
- Always make sure that the supporting structure is solid and can support the combined weight of the products.
- The earth wire must always be connected to the ground.
- Do not touch the power cables if your hands are wet.

ATTENTION

⚠ ATTENTION ⚠

- This product left the place of manufacture in perfect condition. In order to maintain this condition and for safe operation, the user must always follow the instructions and safety warnings described in this user manual.
- Avoid shaking or strong impacts to any part of the equipment.
- Make sure that all parts of the equipment are kept clean and free of dust.
- Always make sure that the power connections are connected correct and secure.
- If there is any malfunction of the equipment, contact your distributor immediately.
- When transferring the product, it is advisable to use the original packaging in which the product left the factory.
- Shields, lenses or ultraviolet screens shall be changed if they have become damaged to such an extent that their effectiveness is impaired.
- The lamp (LED) shall be changed if it has become damaged or thermally deformed.



Caution, risk of electric shock
The light source contained in this luminaire shall only be replaced by the manufacturer or his service agent or a similar qualified person.

2 Installation

2.1 Mounting

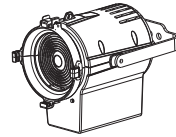
The fixture can be mounted in any position. Always ensure that mounting surface can withstand 10 times the weight of the fixture.

Always use a safety cable when mounting the fixture in any elevated position.

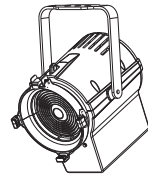
Important safety note!!

Always use a safety cable when installing this unit!!

Be sure that the safety cable is connected to a solid load-bearing structure.



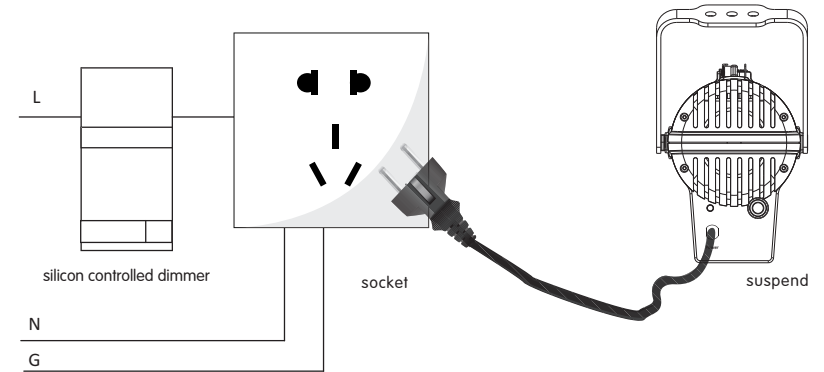
UPRIGHT



HANGING

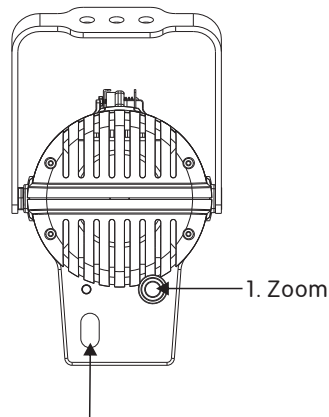
3.2 Switch schematic

When using the silicon controlled dimmer, connect the dimmer according to the following connection mode, and the 0-10V connecting hole is suspended.



3 Display panel operation

3.1 Button description



3. AC100~240V input